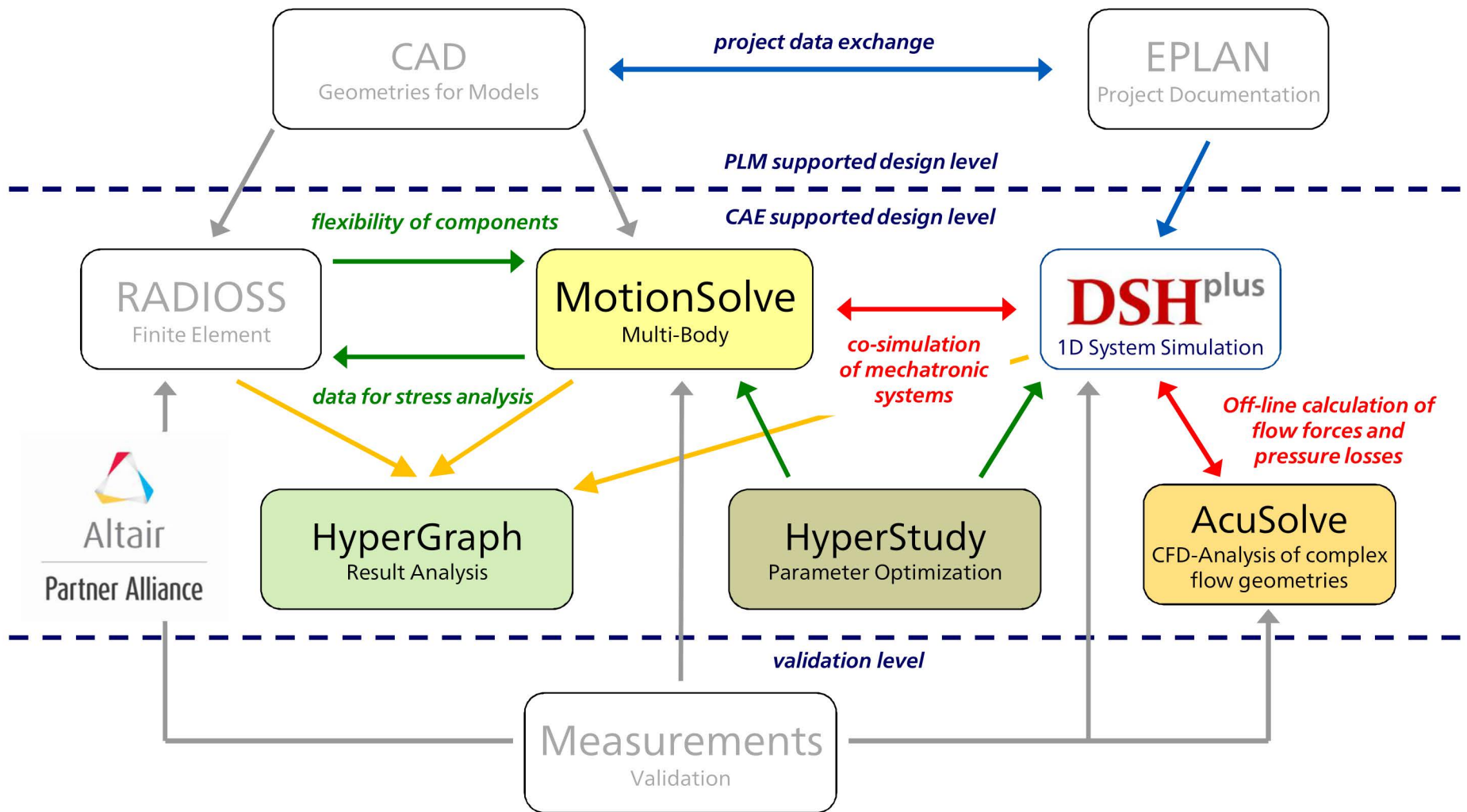
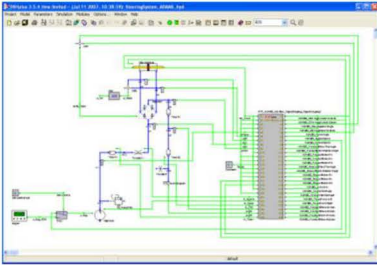


# How fits **DSH<sup>plus</sup>** into the HyperWorks Product Family?



# Usage scenarios within the Altair Partner Alliance

## Stand-alone usage of **DSH<sup>plus</sup>**



**DSH<sup>plus</sup>-View**

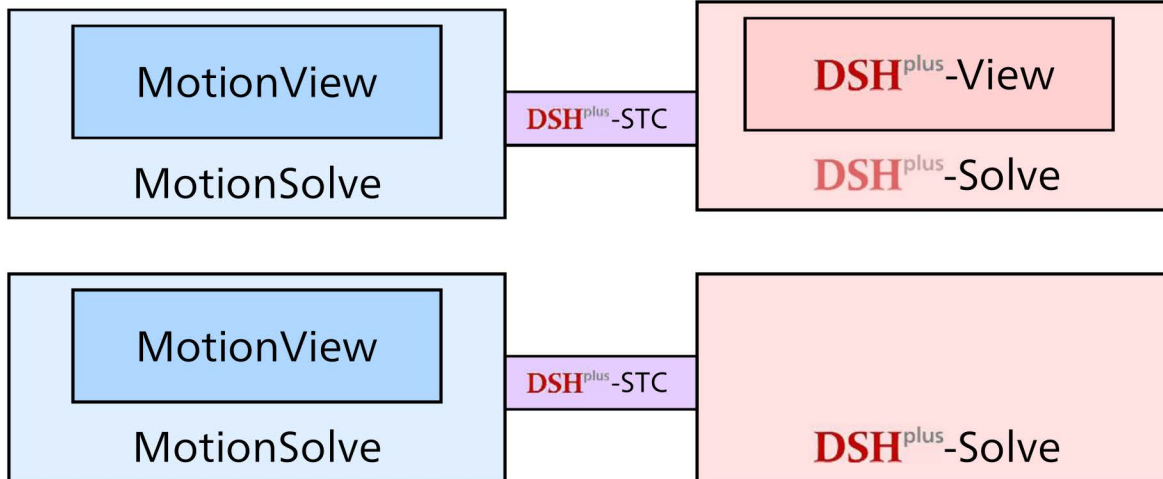
**DSH<sup>plus</sup>-View**

**DSH<sup>plus</sup>-Solve**

- DSHplus-View
  - Model set-up
  - Component libraries
  - Pre- and Post-Processing of simulation runs
  - Online monitoring for simulation-results

- DSHplus-Solve
  - Calculation kernel
  - Simulation model
  - Access to technology-specific auxiliary-functions

## Usage of **DSH<sup>plus</sup>-STC** in a multi domain simulation



Tool coupling  
(co-simulation)

stand alone coupling  
(embedded co-simulation)